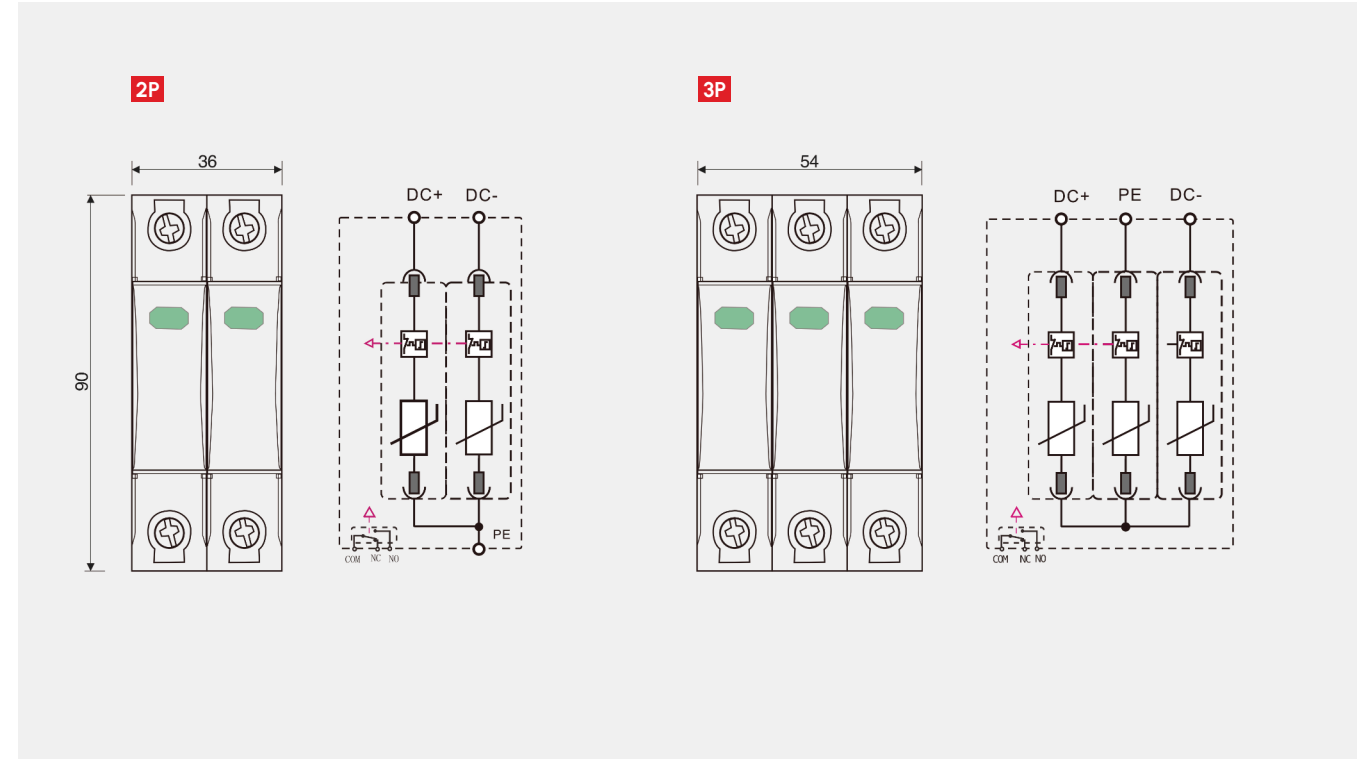
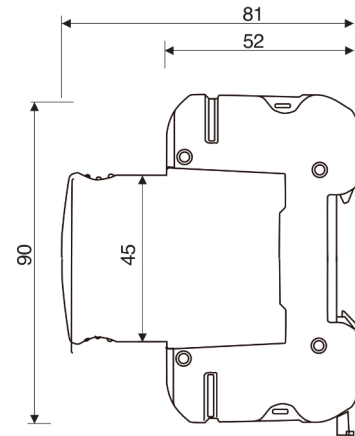


WDE A3 SERIES TYPE1+2 D



- Used as a Type I+II (Class B+C) power protector
- Built-in 2xT1/T2 high energy composite dual MOV components
- Provides reliable protection, response time of 25n
- Multi-visual indicators, thermal trip devices are safe and reliable
- The busbar can be used in combination with I+N, 3+N, 2P and 4P
- Equipped with remote signalling for easier remote maintenance

WDE	07	1500	A3	FM	D
1	2	3	4	5	6
1 DEFENDER (DC)	2 7kA I _{imp} (10/350µs)	3 1500V DC	4 3-pole (+ Ground)	5 With remote signalling contact	6 DC System

WOLTIFY MODEL	WDE 07 600 A3 FM D	WDE 07 1000 A3 FM D	WDE 07 1200 A3 FM D	WDE 07 1500 A3 FM D
Maximum Continuous Operating Voltage[L-N]/[N-PE] U _c	600 V DC	1000 V DC	1200 V DC	1500 V DC
Nominal Discharge Current(8/20µs) I _n	20 kA	20 kA	20 kA	20 kA
Maximum Discharge Current(8/20µs) I _{max}	40 kA	40 kA	40 kA	40 kA
Short-circuit Current Rating ISCPV	10 kA	10 kA	10 kA	10 kA
Impulse Discharge Current (10/350µs) I _{imp}	8 kA	8 kA	8 kA	8 kA
Total discharge current (8/20 µs)[DC+/DC- -> PE] (I _{total})	40 kA			
Total discharge current (10/350 µs)[DC+/DC- -> PE] (I _{total})	12.5 kA			
Voltage Protection Level Up	≤ 4.5 kV			
Response Time t _A	≤25 ns			
Leakage Current	< 20 µA			
Operating Temperature Zone	-40 to +80°C			
Connecting Conductor Cross Section	4-16mm ²			
Single Module Width	18 mm			
Shell Material	PBT, UL94-V0			
Test Standard	IEC 61643-31			
Mounting On	35 mm DIN Rail			
Shell Protection Level	IP20			
Weight	0.1KGS/Pole			

Product Name	Product Code	Protection Mode	U _{cpv}	I _{imp} (10/350µs)	I _n (8/20µs)	U _p
WDE 07 600 A3 FM D	400121	DC+ to PE/ DC- to PE	600 V DC	8 kA	20 kA	≤3.0 kV
WDE 07 1000 A3 FM D	400122	DC+ to PE/ DC- to PE	1000 V DC	8 kA	20 kA	≤4.5 kV
WDE 07 1200 A3 FM D	400123	DC+ to PE/ DC- to PE	1200 V DC	8 kA	20 kA	≤4.5 kV
WDE 07 1500 A3 FM D	400124	DC+ to PE/ DC- to PE	1500 V DC	8 kA	20 kA	≤4.5 kV
WDE 07 600 A3 D	400111	DC+ to PE/ DC- to PE	600 V DC	8 kA	20 kA	≤3.0 kV
WDE 07 1000 A3 D	400112	DC+ to PE/ DC- to PE	1000 V DC	8 kA	20 kA	≤4.5 kV
WDE 07 1200 A3 D	400113	DC+ to PE/ DC- to PE	1200 V DC	8 kA	20 kA	≤4.5 kV
WDE 07 1500 A3 D	400114	DC+ to PE/ DC- to PE	1500 V DC	8 kA	20 kA	≤4.5 kV
WDE 07 600 A3 YG D	400131	DC+ to PE/ DC- to PE	600 V DC	10 kA	20 kA	≤3.0 kV
WDE 07 1000 A3 YG D	400132	DC+ to PE/ DC- to PE	1000 V DC	10 kA	20 kA	≤4.75 kV
WDE 07 1200 A3 YG D	400133	DC+ to PE/ DC- to PE	1200 V DC	10 kA	20 kA	≤4.75 kV
WDE 07 600 A3 YG FM D	400141	DC+ to PE/ DC- to PE	600 V DC	10 kA	20 kA	≤3.0 kV
WDE 07 1000 A3 YG FM D	400142	DC+ to PE/ DC- to PE	1000 V DC	10 kA	20 kA	≤4.75 kV
WDE 07 1200 A3 YG FM D	400143	DC+ to PE/ DC- to PE	1200 V DC	10 kA	20 kA	≤4.75 kV