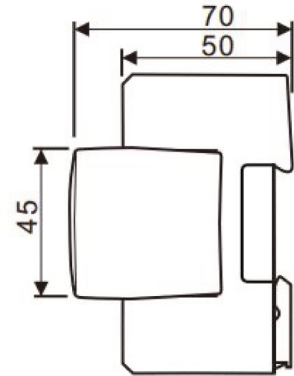


WAE 20 SERIES TYPE2 X



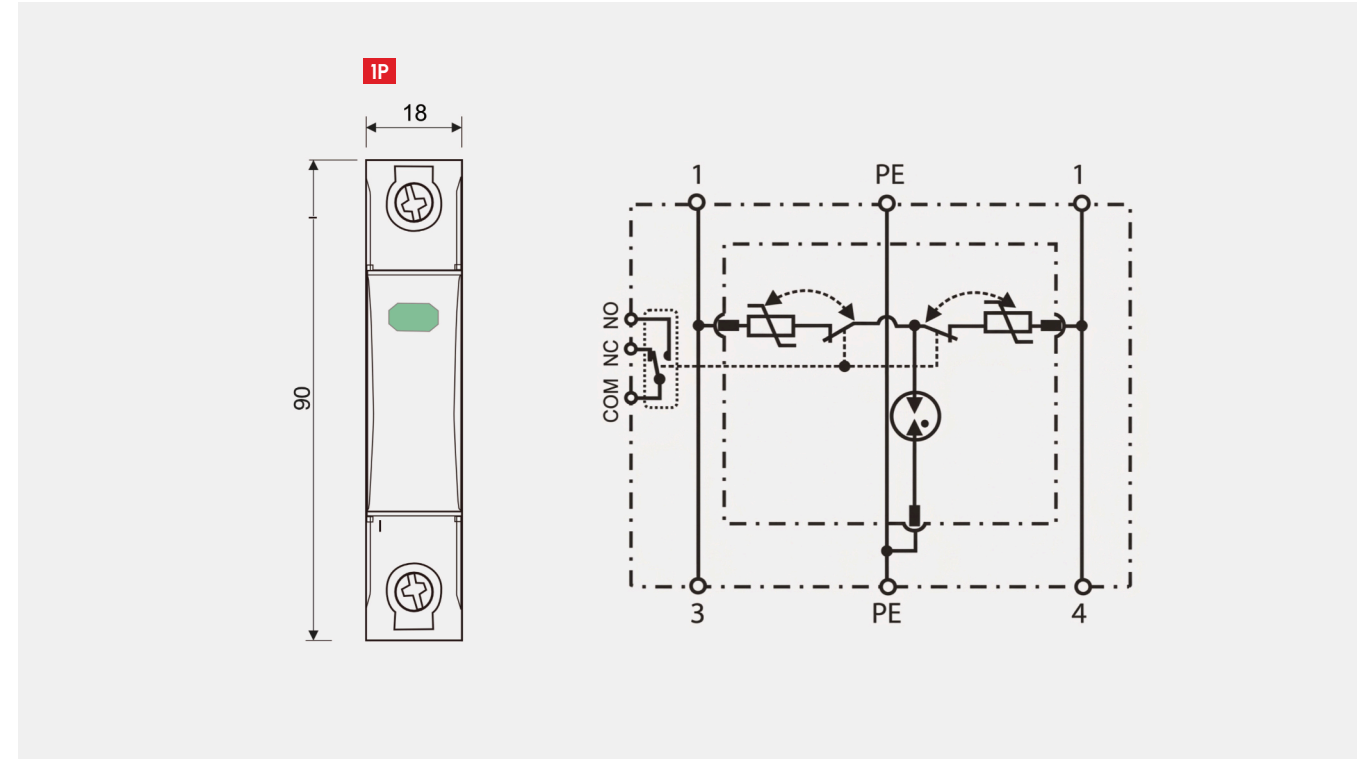
- It is used for lightning protection (electrical surge) of AC and DC circuits and related equipment powered by 24V - 230V. Meets the requirements of GB/T8802.11/IEC61643-11 standard for Class T2 (8/20 μ s) and Class T3 (1.2/50 μ s - 8/20 μ s) lightning tests.
- Plug-and-play structure, can quickly replace a failed module
- Module built-in overheat and overcurrent trip and failure indicator window, safe and reliable

WAE	20	30	A1	YG FM	X
1	2	3	4	5	6
1 AEGIS (Type 3)	2 I _n (8/20 μ s)	3 U _c			
4 Protection mode	5 Technology code	6 AC/DC System			

WOLTIFY MODEL	WAE 20 30 A1 YG FM X*	WAE 20 150 A1 YG FM X**
SPD according to EN 61643-11 / IEC 61643-11	Type 3 / class III	Type 3 / class III
Nominal voltage (A.C.) U _n	24 V (50 / 60 Hz)	120 V (50 / 60 Hz)
Maximum Continuous Operating Voltage AC/DC U _c	30V AC/30V DC	150V AC/150V DC
Nominal Discharge Current (8/20 μ s) T2 I _n	1 kA	2 kA
Nominal Load Current (A.C.) I _L	25 A	25 A
Total Discharge Current (8/20 μ s) [L+N-PE] I _{total}	2 kA	4 kA
Combination Wave U _{oc}	2 kV	4 kV
Combination wave [L+N-PE] U _{oc total}	4 kV	8 kV
Voltage Protection Level [L-N] / [L/N-PE] U _p	$\leq 180 / \leq 630$ V	$\leq 640 / \leq 800$ V
Response Time [L-N] / [L/N-PE] t _a		≤ 25 ns/ ≤ 100 ns
Max. mains-side overcurrent protection		25 A gG or B 25 A
Short-circuit withstand capability for max. main-side overcurrent protection I _{sccr}		6 kA _{rms}
Operating State / Fault Indication		Green/Red
Ambient Temperature		-40 to +80°C
Mounting On		35mm DIN Rail
Cross-sectional area (min.)		0.5 mm ² solid/flexible
Cross-sectional area (max.)		4 mm ² solid / 2.5 mm ² flexible
Enclosure Material		Flame Retardant PBT UL94-V0
Level of Protection		IP20
Diameter		90x18x67mm

*Also available in U_c 48V DC (WAE 20 48 A1 YG FM D)

**Also available in U_c 200V DC (WAE 20 200 A1 YG FM D)



Product Name	Product Code	Protection Mode	U _c (AC / DC)	I _n (8/20 μ s)	U _p
WAE 20 30 A1 YG FM X	102011	L-N	30 V / 30 V	1 kA	≤ 0.18 kV
WAE 20 48 A1 YG FM D	102012	L-N	30 V / 48 V	1 kA	≤ 0.18 kV
WAE 20 150 A1 YG FM X	102013	L-N	150 V / 150 V	2 kA	≤ 0.64 kV
WAE 20 200 A1 YG FM D	102014	L-N	150 V / 200 V	2 kA	≤ 0.64 kV

Additional Data (Optional)	WAE 20 24 A1N FM X	WAE 20 120 A1N FM X
Remote Alarm Terminal Type	Dry Contact	
Rated Terminal Power Un/In	AC: 250V/1.0A DC: 250V/0.5A 125V/0.6A 60V/1.0A	
Cross-sectional Area of Remote Alarm Wire	1.0 ~ 2.5mm ² single/multi-strand wire	