

WHE SERIES DC CIRCUIT BREAKERS



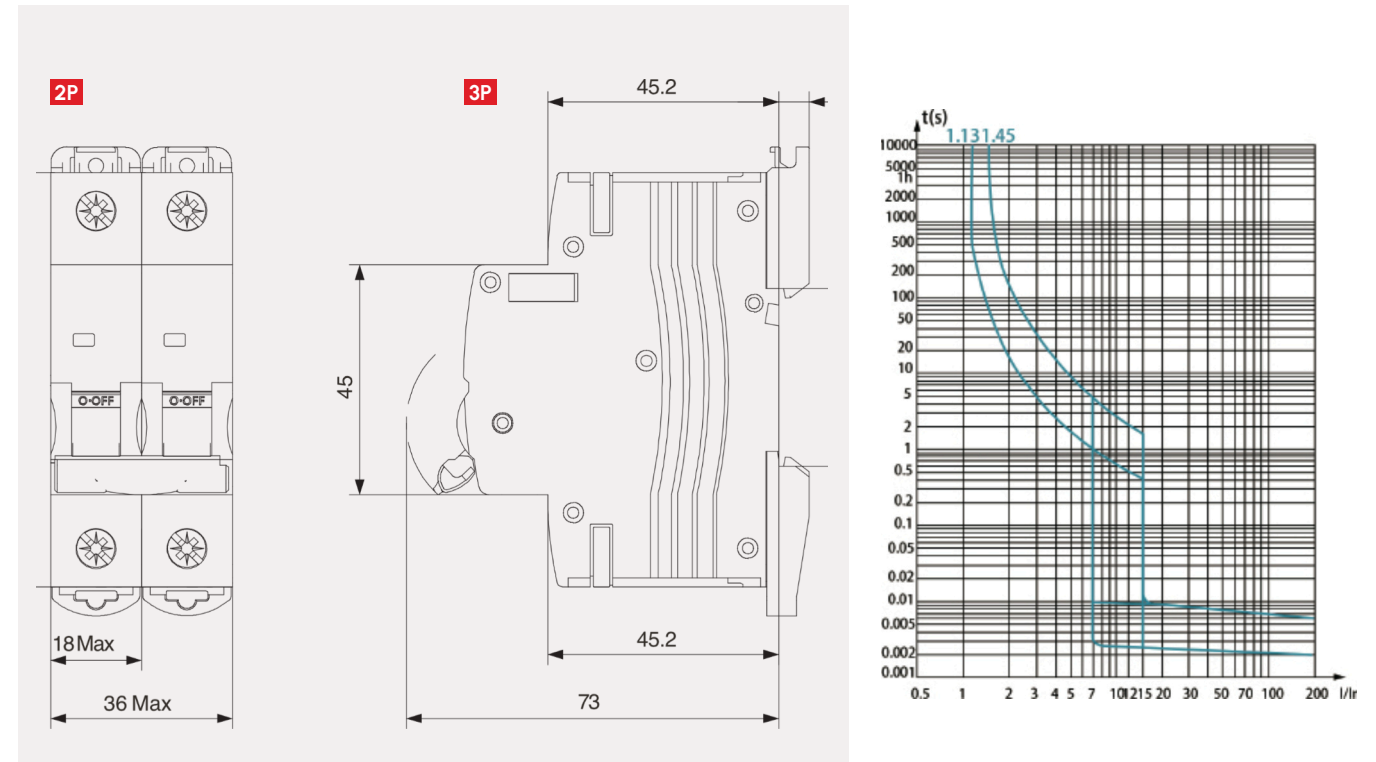
Application:

WHE CB Series DC Miniature Circuit Breakers with 6kA breaking capacity are designed to provide protection against short circuit and overload. It is mainly used in photovoltaic power generation and distribution systems, energy storage systems, with a rated voltage of 1200V DC and a rated current of 63A.

WBA	40	320	A1	FM
1	2	3	4	5
1	2	3	4	5
HERALD	Circuit Breaker	63A rated current		
250V DC	IP = 1-Pole			

THE MAIN TECHNICAL PARAMETERS

WOLTIFY MODEL	WHE CB SERIES
Standards	IEC 60947-2
Electrical Characteristics	
Number Of Poles	1P, 2P, 3P, 4P
Frame Current (A)	63
Rated Current (A) In	6, 10, 16, 20, 25, 32, 40, 50, 63
Rated Operating Voltage (V DC) Ue	1P: 250V, 2P: 800V, 3P: 800V, 4P: 1200V
Rated Insulation Voltage (V DC) Ui	2P: 800V, 4P: 1200V
Rated Impulse Withstand Voltage (kV) Uimp	8
Ultimate Breaking Capacity (kA) Icu	6
Run Breaking Capacity (kA) Ics	6 (100% Icu)
Curve Type	C
Trip Type	Thermal-magnetic
Mechanical Properties	
Mechanical Life (operations)	Actual average: 20000, Standard: 8500
Electrical Life (operations)	Actual average: 2500, Standard: 1500
Protection Grade	IP20
Indicator Window	Contact status indication
Control and Indication	
Shunt Release (SHT)	Optional - Mx
Under-voltage Release (UNT)	Optional
Auxiliary Contact (AX)	Optional - OF
Alarm Contact (AL)	Optional - SD



PRODUCT AND INSTALLATION DIMENSIONS (mm)

WHE CB Series should be installed on DIN rail terminals and can be connected to wires of less than 50 mm²

Dimensions by Pole Configuration:

Configuration	Width (W)	Height (H)	Depth (Deep)	Weight (kg)
1P	17.5	80	71	0.13
2P	35	80	71	0.26
3P	52.5	80	71	0.39
4P	70	80	71	0.53

Wire Connection Specifications:

Rated Current (A)	Sectional Area of Wire (mm ²)	Tightening Torque (N.m)
10	1	2.0
16, 20	2.5	2.0
25	4	2.0
32	6	2.0
40, 50	10	2.0
63	16	2.0

ORDER INFORMATION

- Product format WHE CB [Rating] [Voltage] [Poles] expressed as WHE CB 25 800 2P meaning 25A rating, 800V DC operating voltage, 2-Pole configuration
- Available ratings: 6A, 10A, 16A, 20A, 25A, 32A, 40A, 50A, 63A; Pole configurations: 1P (250V), 2P (800V), 3P (800V), 4P (1200V)
- Specify complete product code and quantity separately; Example: WHE CB 32 1200 4P, Quantity: 500 units
- Optional accessories: Shunt Release (SHT-Mx), Under-voltage Release (UNT), Auxiliary Contact (AX-OF), Alarm Contact (AL-SD) - specify when ordering